



Ersatzteilliste
(59705210) ETL Top Craft 2006 *DE

| | |
|--|----|
| ETL Top Craft 2006 *DE (59705210)..... | 3 |
| 10 Gehaeuse (01033830)..... | 4 |
| 11 Gehaeuse (01031580)..... | 5 |
| 12 Schlauchtrommel (01033820)..... | 7 |
| 20 Pumpensatz (01086180)..... | 9 |
| 21 Steuergehaeuse (01086190)..... | 10 |
| 22 Geradschubfuehrung (01086200)..... | 12 |
| 30 Motor (01129370)..... | 14 |
| 40 Zubehoer (01488830)..... | 16 |
| 41 Handspritzpistole (01488840)..... | 17 |
| 6 O-Ringset neutral (28832540)..... | 19 |
| 42 Strahlrohr (01488850)..... | 20 |
| 50 E-Kasten (01272000)..... | 22 |

ETL Top Craft 2006 *DE (59705210)

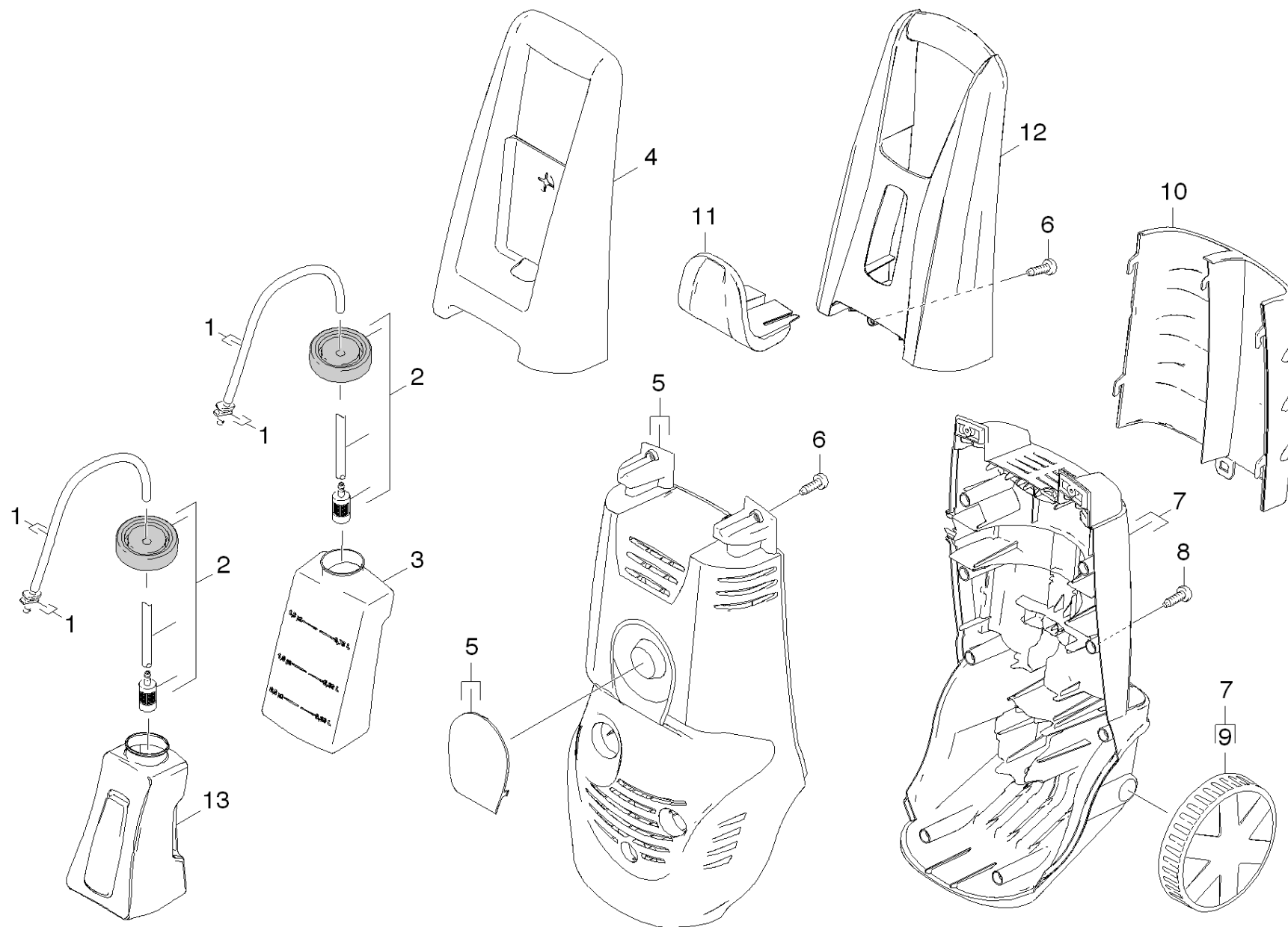
| Pos | Materialnr. | Benennung | ab WK Nr. | bis WK.Nr. |
|-----|-------------|------------|------------|------------|
| 10 | 01033830 | Gehaeuse | | |
| 20 | 01086180 | Pumpensatz | 0000000000 | 0000000000 |
| 30 | 01129370 | Motor | 0000000000 | 0000000000 |
| 40 | 01488830 | Zubehoer | 0000000000 | 0000000000 |
| 50 | 01272000 | E-Kasten | 0000000000 | 0000000000 |

10 Gehaeuse (01033830)

Pos Materialnr. Benennung

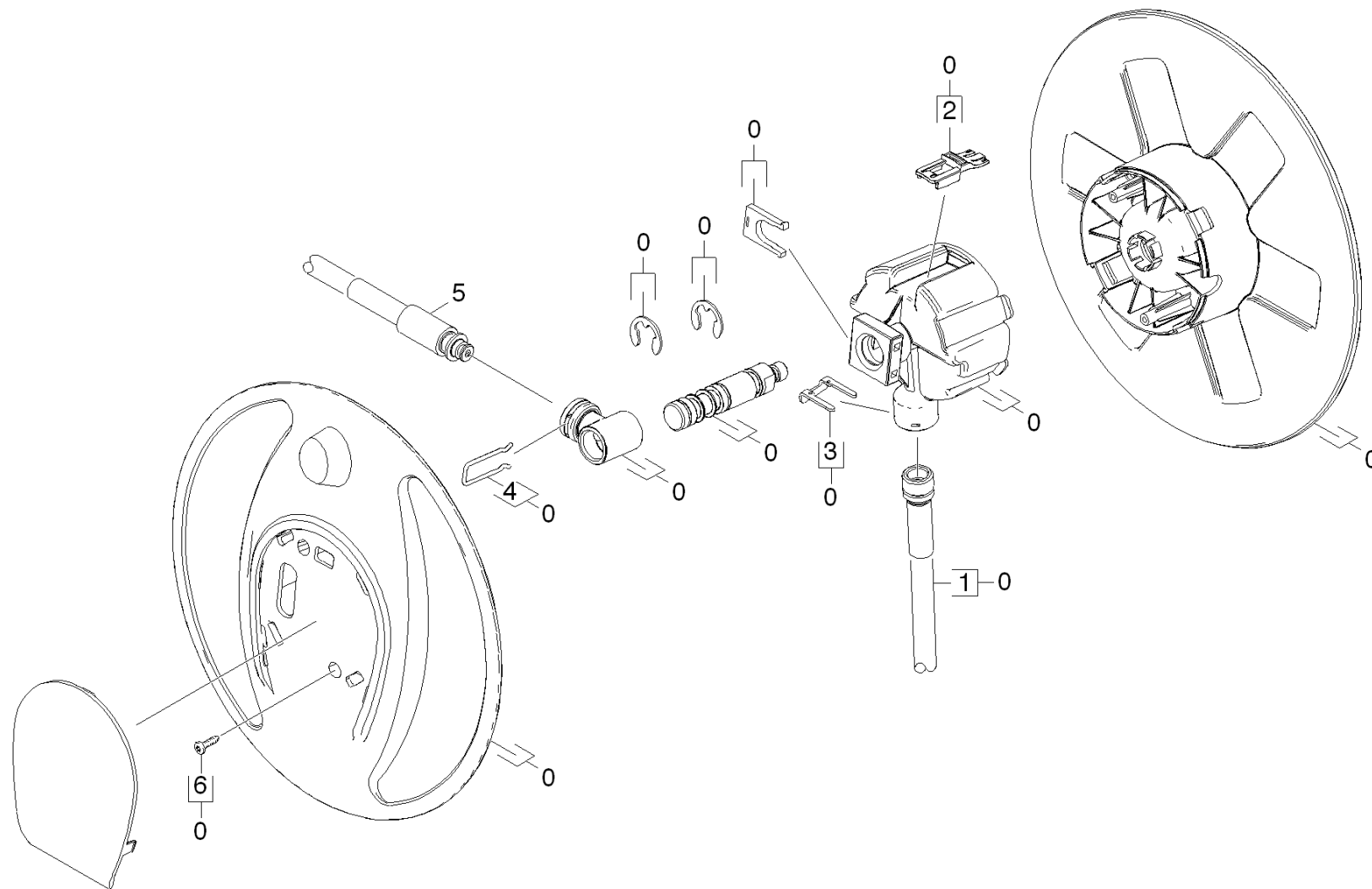
11 01031580 Gehaeuse

12 01033820 Schlauchtrommel



11 Gehaeuse (01031580)

| Pos | Materialnr. | Benennung | Menge | ME | ab WK Nr. | bis WK.Nr. | Fußnotentext |
|---|-------------|----------------------------------|-------|----|------------|------------|--------------|
| 1 | 90117120 | Schlauch RM kpl. 520mm | 1.000 | ST | 0000000000 | 0000000000 | |
| 2 | 90117110 | Filter RM kpl. | 1.000 | ST | 0000000000 | 0000000000 | |
| 3 | 90372160 | Tank RM | 1.000 | ST | 0000000000 | 0000000000 | |
| Positionstext: 1.636-960.0 /-961.0 /-962.0 /-963.0 / -964.0 /-965.0 /-971.0 /-972.0 /-973.0 /-974.0 /-975.0 /-976.0 | | | | | | | |
| 4 | 90372150 | Handgriff ALDI 2006 | 1.000 | ST | 0000000000 | 0000000000 | |
| Positionstext: 1.636-960.0 /-961.0 /-962.0 /-963.0 / -964.0 /-965.0 /-971.0 /-972.0 /-973.0 /-974.0 /-975.0 /-976.0 | | | | | | | |
| 5 | 90013930 | Abdeckung | 1.000 | ST | 0000000000 | 0000000000 | |
| 6 | 90862030 | Schraube 4x22 | 2.000 | ST | 0000000000 | 0000000000 | |
| 7 | 90013920 | Gehaeuse hinten | 1.000 | ST | 0000000000 | 0000000000 | |
| Positionstext: 1.636-960.0 /-961.0 /-962.0 /-963.0 / -964.0 /-965.0 /-971.0 /-972.0 /-973.0 /-974.0 /-975.0 /-976.0 | | | | | | | |
| 7 | 90124540 | Haube hinten kpl. Aldi 2008 | 1.000 | ST | | | |
| Positionstext: 1.636-940.0/-941.0/-942.0/-943.0/-945.0/-980.0/-981.0/-982.0 /-983.0/ -984.0 /-985.0 | | | | | | | |
| 8 | 90861730 | Schraube Hi-Lo d.4x22 Torx-d.7,5 | 8.000 | ST | 0000000000 | 0000000000 | |
| 9 | 90013910 | Rad | 1.000 | ST | 0000000000 | 0000000000 | VERSION 2 |
| 10 | 90372140 | Halter Zubehoer ALDI 2006 | 1.000 | ST | 0000000000 | 0000000000 | |
| 11 | 90375230 | Halter Aldi 2008 | 1.000 | ST | | | |
| Positionstext: 1.636-940.0/-941.0/-942.0/-943.0/-945.0/-980.0/-981.0/-982.0 /-983.0/ -984.0 /-985.0 | | | | | | | |
| 12 | 90375220 | Handgriff Aldi 2008 | 1.000 | ST | | | |
| Positionstext: 1.636-940.0/-941.0/-942.0/-943.0/-945.0/-980.0/-981.0/-982.0 /-983.0/ -984.0 /-985.0 | | | | | | | |
| 13 | 90375210 | Tank Aldi 2008 | 1.000 | ST | | | |
| Positionstext: 1.636-940.0/-941.0/-942.0/-943.0/-945.0/-980.0/-981.0/-982.0 /-983.0/ -984.0 /-985.0 | | | | | | | |

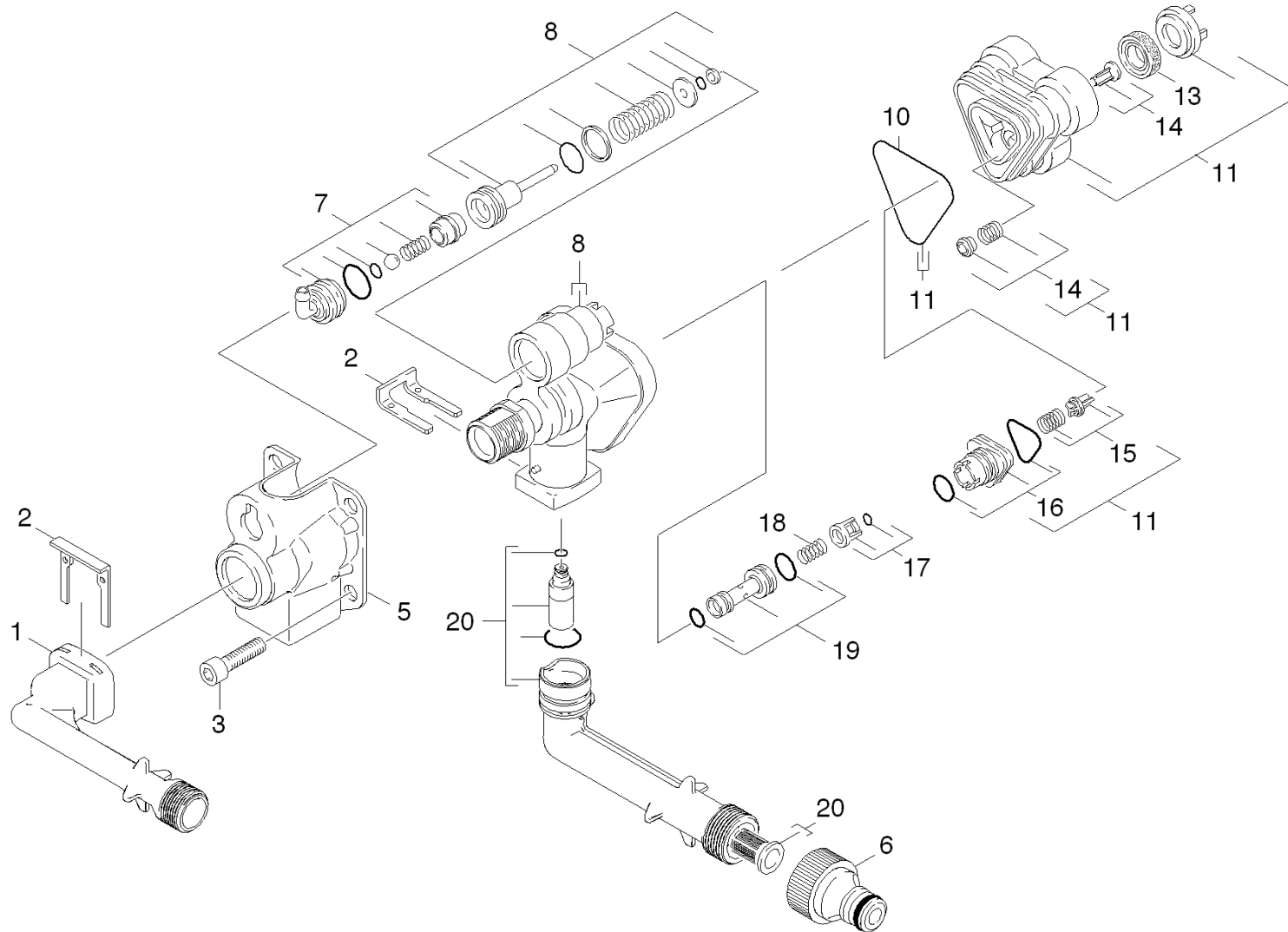


12 Schlauchtrommel (01033820)

| Pos | Materialnr. | Benennung | Menge | ME | ab WK Nr. | bis WK.Nr. |
|----------------------------|-------------|----------------------------------|-------|----|------------|------------|
| 0 | 90123410 | Schlauchtrommel kpl. 6m ALDI NL | 1.000 | ST | 0000000000 | 0000000000 |
| Positionstext: 1.636-975.0 | | | | | | |
| 1 | 90820900 | HD-Schlauch | 1.000 | ST | 0000000000 | 0000000000 |
| 2 | 90372240 | Clip | 1.000 | ST | 0000000000 | 0000000000 |
| 3 | 90392380 | Klammer | 1.000 | ST | 0000000000 | 0000000000 |
| 4 | 90392220 | Klammer K596 | 1.000 | ST | 0000000000 | 0000000000 |
| 5 | 90820890 | Tube x avvolgitubo 150bar/6m | 1.000 | ST | 0000000000 | 0000000000 |
| Positionstext: 1.636-975.0 | | | | | | |
| 6 | 90861730 | Schraube Hi-Lo d.4x22 Torx-d.7,5 | 2.000 | ST | 0000000000 | 0000000000 |

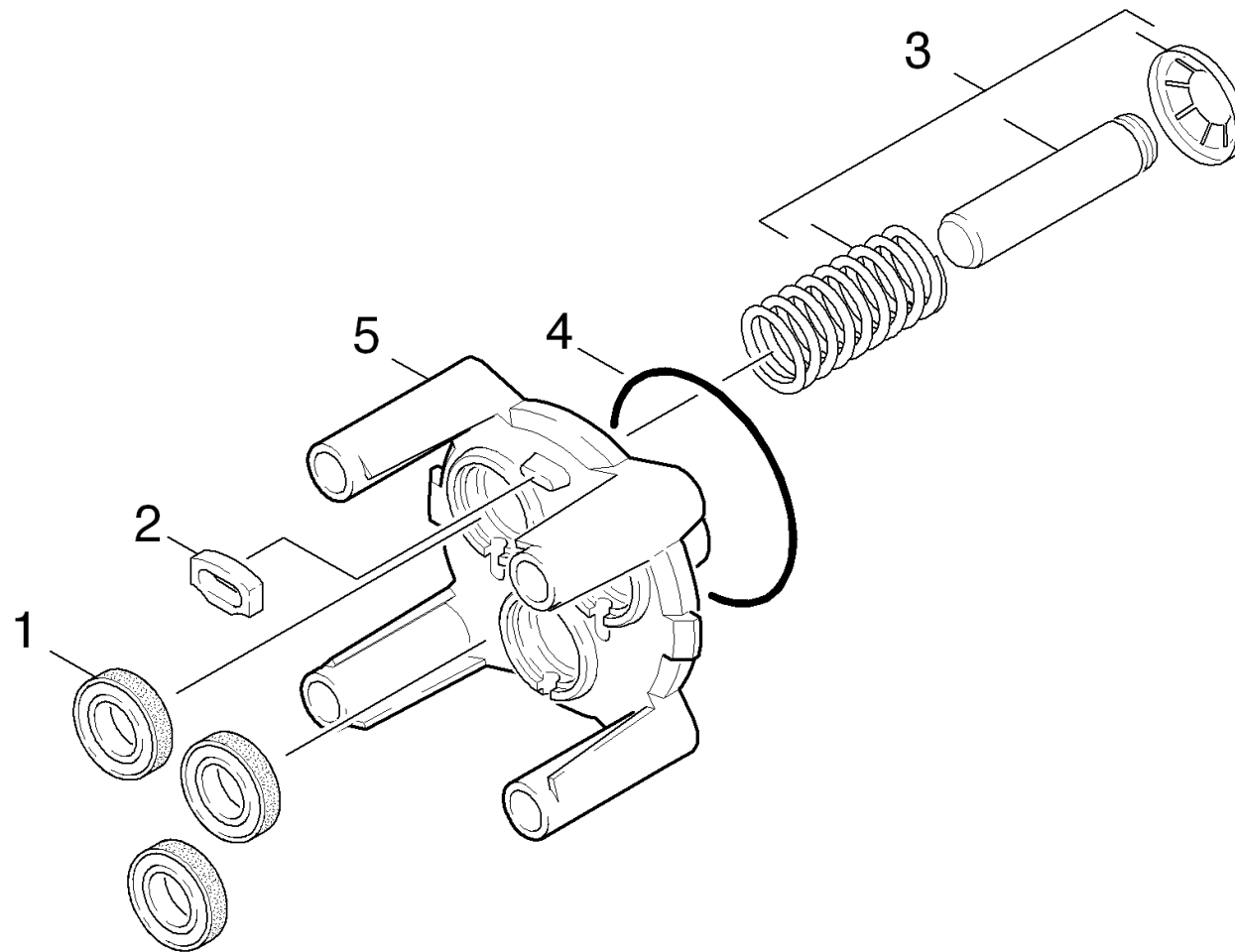
20 Pumpensatz (01086180)

| Pos | Materialnr. | Benennung | ab WK Nr. | bis WK.Nr. |
|-----|-------------|--------------------|------------|------------|
| 21 | 01086190 | Steuergehaeuse | 0000000000 | 0000000000 |
| 22 | 01086200 | Geradschubfuehrung | 0000000000 | 0000000000 |



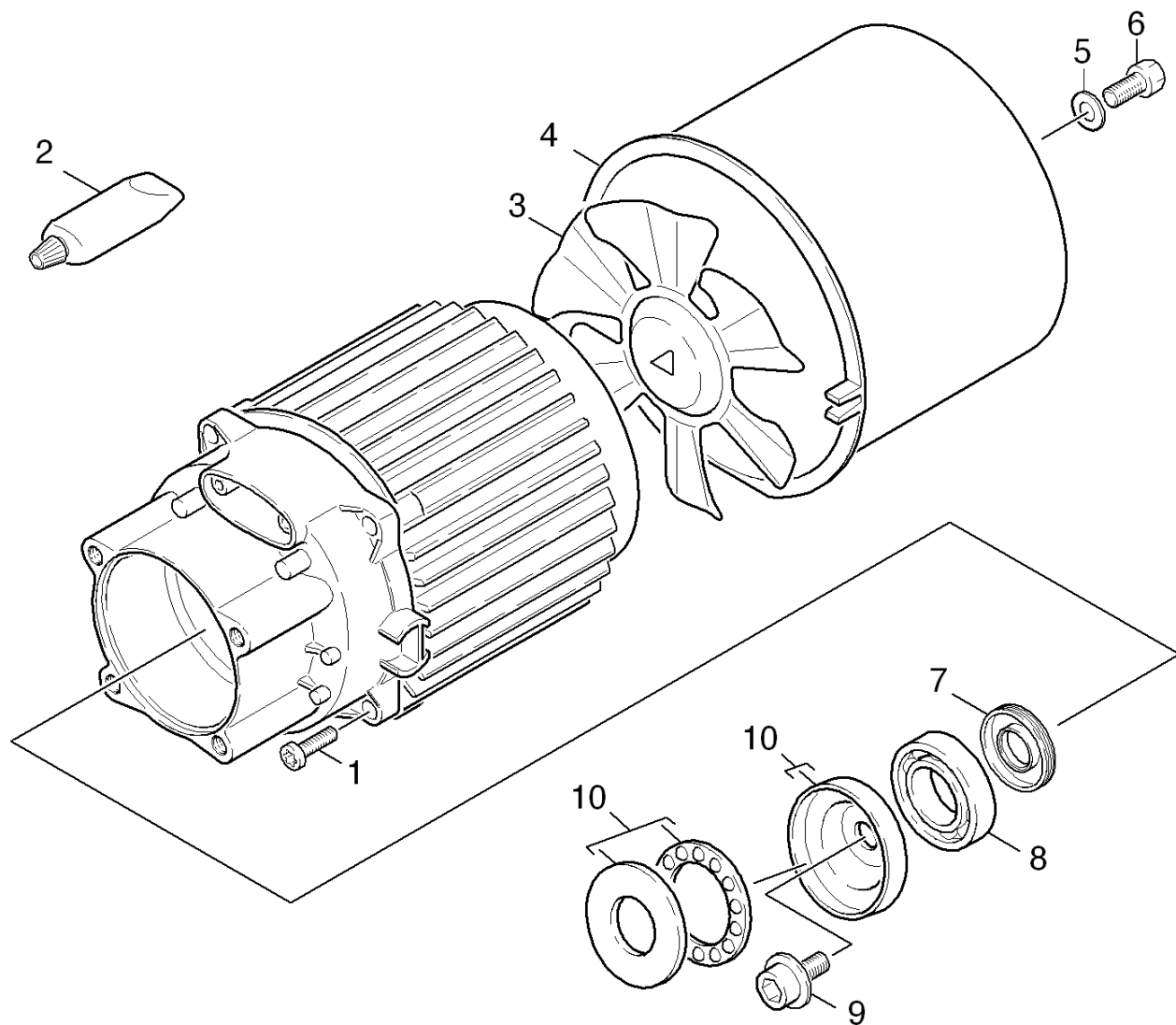
21 Steuergehaeuse (01086190)

| Pos | Materialnr. | Benennung | Menge | ME | ab WK Nr. | bis WK.Nr. |
|-----|-------------|-----------------------------|-------|----|------------|------------|
| 1 | 90372180 | Anschluss Druckseite | 1.000 | ST | 0000000000 | 0000000000 |
| 2 | 90391480 | Klammer | 2.000 | ST | 0000000000 | 0000000000 |
| 3 | 90862000 | Schraube M 8x55 Class 8.8 | 4.000 | ST | 0000000000 | 0000000000 |
| 5 | 90393080 | Deckel K130 | 1.000 | ST | | |
| 6 | 77779990 | Bevorratung eingestellt | 1.000 | ST | 0000000000 | 0000000000 |
| 7 | 90017410 | Ansaugung RM fuer Ersatz | 1.000 | ST | 0000000000 | 0000000000 |
| 8 | 90013610 | ET-Satz Steuerkopf | 1.000 | ST | 0000000000 | 0000000000 |
| 10 | 90814220 | Formdichtung | 1.000 | ST | 0000000000 | 0000000000 |
| 11 | 90012150 | Ersatzteilsatz Zylinderkopf | 1.000 | ST | 0000000000 | 0000000000 |
| 13 | 63628750 | Nutring | 3.000 | ST | 0000000000 | 0000000000 |
| 14 | 90011100 | Formteil kpl. | 1.000 | ST | 0000000000 | 0000000000 |
| 15 | 90011490 | ET-Satz Ventil | 1.000 | ST | 0000000000 | 0000000000 |
| 16 | 90011060 | Verbindungsstueck | 1.000 | ST | 0000000000 | 0000000000 |
| 17 | 90011070 | Kaefig kpl. | 1.000 | ST | 0000000000 | 0000000000 |
| 18 | 90470260 | Feder | 1.000 | ST | 0000000000 | 0000000000 |
| 19 | 90011080 | Injektor kpl. | 1.000 | ST | 0000000000 | 0000000000 |
| 20 | 90013890 | Ersatzteilsatz Saugseite | 1.000 | ST | 0000000000 | 0000000000 |



22 Geradschubfuehrung (01086200)

| Pos | Materialnr. | Benennung | Menge | ME | ab WK Nr. | bis WK.Nr. | Fußnotentext |
|-----|-------------|-------------------------|-------|----|------------|------------|----------------------------------|
| 1 | 69640260 | Nutring | 3.000 | ST | 0000000000 | 0000000000 | |
| 2 | 90480710 | Dichtung | 1.000 | ST | 0000000000 | 0000000000 | |
| 3 | 90013200 | Kolben kpl. | 3.000 | ST | 0000000000 | 0000000000 | SET BESTEHEND AUS 3X KOLBEN KPL. |
| 4 | 90804260 | O-Ring 62x3 NBR 70Shore | 1.000 | ST | 0000000000 | 0000000000 | |
| 5 | 90420760 | Geradschubfuehrung | 1.000 | ST | 0000000000 | 0000000000 | |

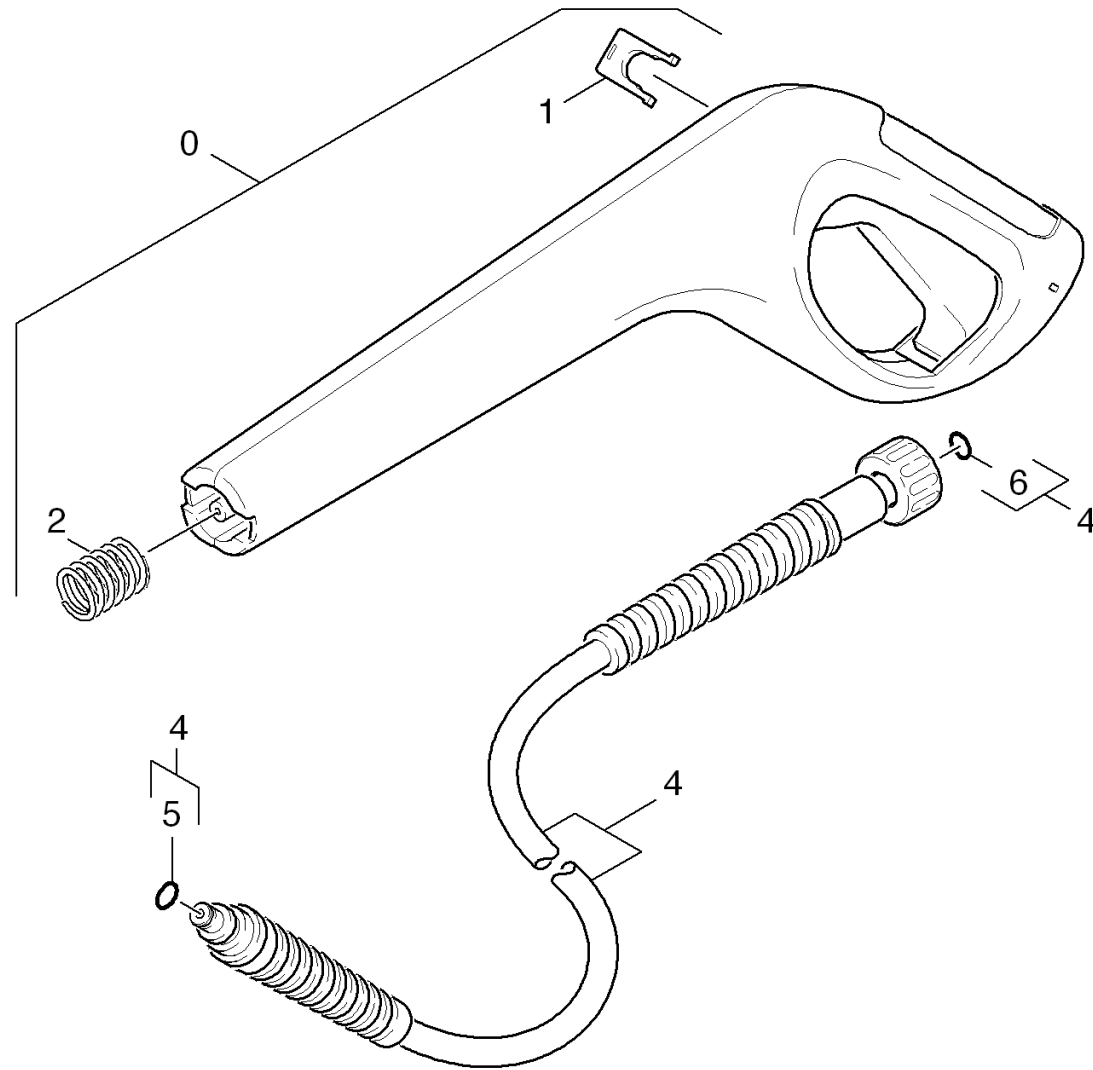


30 Motor (01129370)

| Pos | Materialnr. | Benennung | Menge | ME | ab WK Nr. | bis WK.Nr. |
|-----|-------------|-------------------------------------|-------|----|------------|------------|
| 1 | 90861850 | Schraube M 5x20 | 4.000 | ST | 0000000000 | 0000000000 |
| 2 | 69640920 | Fliessfett 50ml | 1.000 | ST | 0000000000 | 0000000000 |
| 3 | 90391880 | Luefterrad | 1.000 | ST | 0000000000 | 0000000000 |
| 4 | 69640900 | Gehaeuse Luefter | 1.000 | ST | 0000000000 | 0000000000 |
| 5 | 73122330 | Faecherscheibe A8,4-FSt-A3E DIN6798 | 1.000 | ST | 0000000000 | 0000000000 |
| 6 | 73043950 | 6kt-Schraube M8x16-8.8-A2E ISO 4017 | 1.000 | ST | 0000000000 | 0000000000 |
| 7 | 90780070 | Wellendichtring 17x35x5 | 1.000 | ST | 0000000000 | 0000000000 |
| 8 | 74010100 | Kugellager 6303 -St DIN 625 | 1.000 | ST | 0000000000 | 0000000000 |
| 9 | 90862050 | Schraube | 1.000 | ST | 500000 | |
| 9 | 90861690 | Schraube mit Scheibe M 8x16 | 1.000 | ST | 0000000000 | 499999 |
| 10 | 90016710 | Taumelscheibe | 1.000 | ST | 500000 | |
| 10 | 90012890 | Taumelscheibe | 1.000 | ST | 0000000000 | 499999 |

40 Zubehoer (01488830)

| Pos | Materialnr. | Benennung | ab WK Nr. | bis WK.Nr. |
|-----|-------------|-------------------|------------|------------|
| 41 | 01488840 | Handspritzpistole | 0000000000 | 0000000000 |
| 42 | 01488850 | Strahlrohr | 0000000000 | 0000000000 |

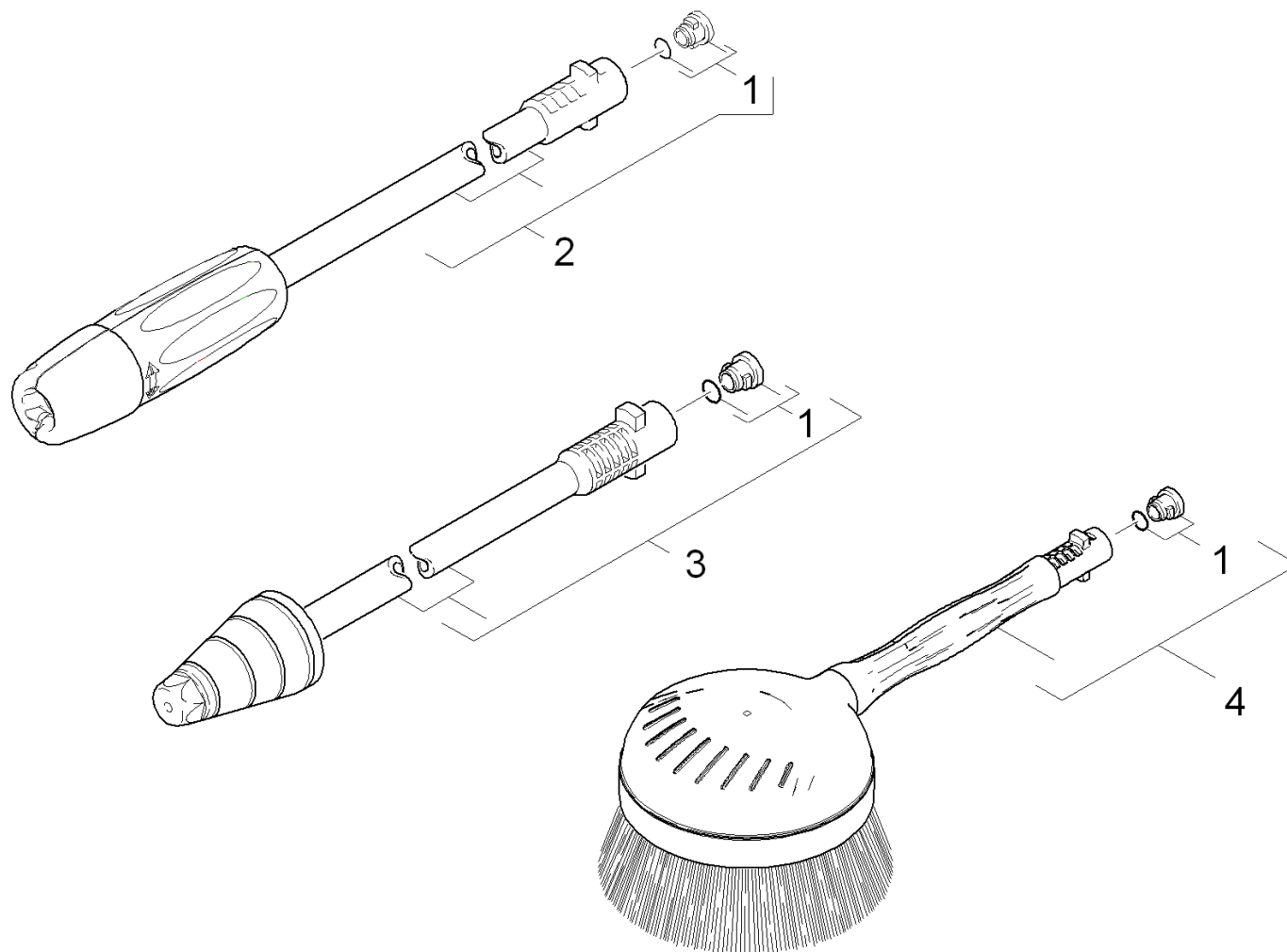


41 Handspritzpistole (01488840)

| Pos | Materialnr. | Benennung | Menge | ME | ab WK Nr. | bis WK.Nr. |
|-----|-------------|---|-------|----|------------|------------|
| 0 | 47754170 | Pistole-M V1 OEM-C RM 16MPa/60G | 1.000 | ST | 0000000000 | 0000000000 |
| 1 | 50371640 | Klammer | 1.000 | ST | 0000000000 | 0000000000 |
| 2 | 53324640 | Druckfeder | 1.000 | ST | 0000000000 | 0000000000 |
| 4 | 90820910 | HD-M-Schlauch 6m/(150) neut.,40°C,MU=20 | 1.000 | ST | 0000000000 | 0000000000 |
| 5 | 63624980 | O-Ring 6,75x1,78 NBR 70 | 1.000 | ST | 0000000000 | 0000000000 |
| 6 | 28832540 | O-Ringset neutral | 1.000 | ST | 0000000000 | 0000000000 |

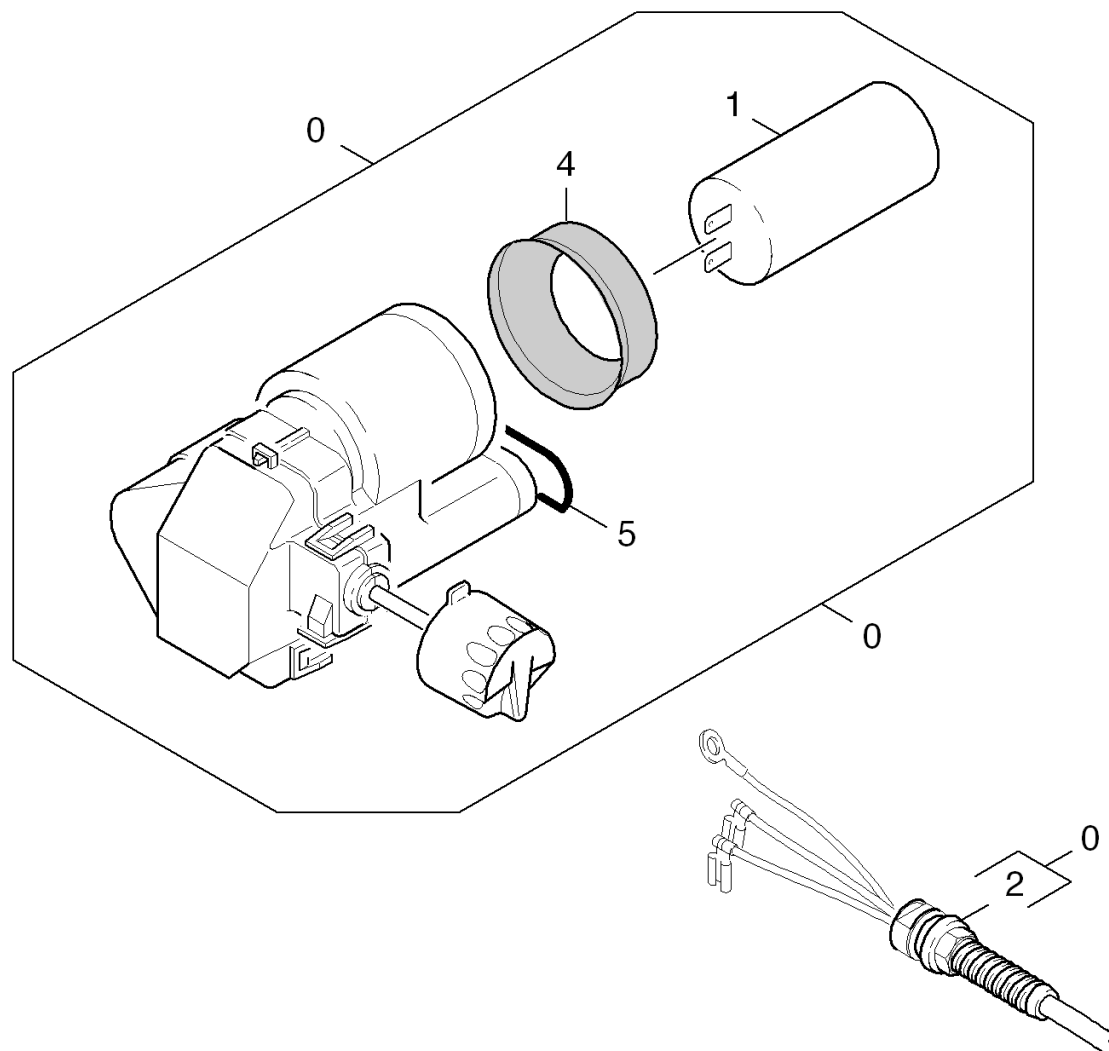
6 O-Ringset neutral (28832540)

| ET/VT | Pos | Materialnr. | Benennung | Menge | ME |
|-------|-----|-------------|------------------------------|-------|----|
| X- | 10 | 63629570 | O-Ring 10,0 X 2,0-EPDM 85-90 | 5.000 | ST |



42 Strahlrohr (01488850)

| Pos | Materialnr. | Benennung | Menge | ME | ab WK Nr. | bis WK.Nr. |
|-----|-------------|--------------------------------------|-------|----|------------|------------|
| 1 | 28839180 | Ersatzteilsatz neutral | 1.000 | ST | 0000000000 | 0000000000 |
| 2 | 90121570 | Strahlrohr VP 028 OEM-C (15MPa) | 1.000 | ST | 0000000000 | 0000000000 |
| 3 | 90121560 | Rotorduese 037 OEM-C (15MPa) | 1.000 | ST | 0000000000 | 0000000000 |
| 4 | 90121490 | Waschbuerste rotierend OEM-C/Leoform | 1.000 | ST | 0000000000 | 0000000000 |



50 E-Kasten (01272000)

| Pos | Materialnr. | Benennung | Menge | ME | ab WK Nr. | bis WK.Nr. |
|-----|-------------|--------------------------------------|-------|----|------------|------------|
| 0 | 90013900 | E-Kasten kpl. | 1.000 | ST | 0000000000 | 0000000000 |
| 1 | 90850130 | Kondensator 25mF | 1.000 | ST | 0000000000 | 0000000000 |
| 2 | 90841390 | Kabel mit Stecker *EU | 1.000 | ST | 0000000000 | 0000000000 |
| 4 | 90804650 | Dichtring Kondensator d.45, 70 Shore | 1.000 | ST | 0000000000 | 0000000000 |
| 5 | 90814170 | O-Ring 20 x 2 | 1.000 | ST | 0000000000 | 0000000000 |